

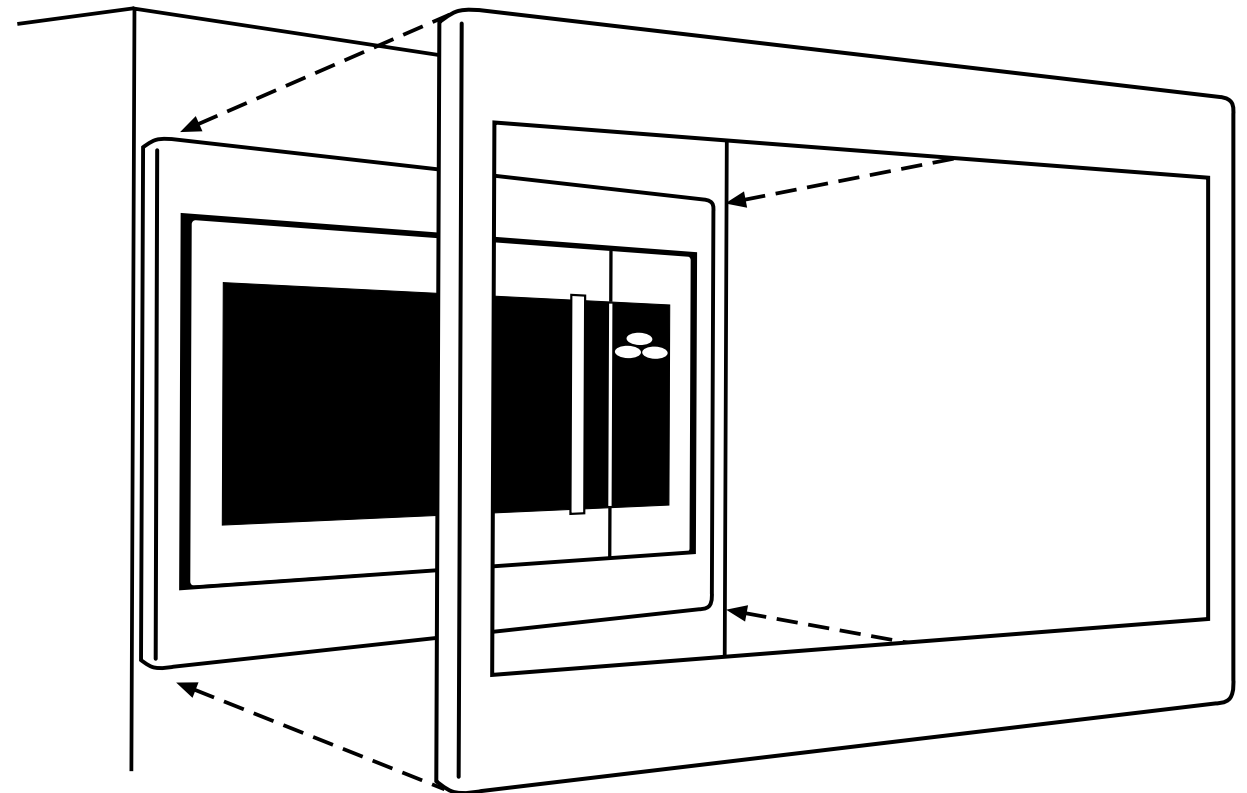
Built-In Installation Instructions for

HALF TIME OVEN® 2X
Built-In

ULTRASPEED OVEN® 4X
Built-In

Manufactured by Half Time Oven, Inc. 800-330-9707

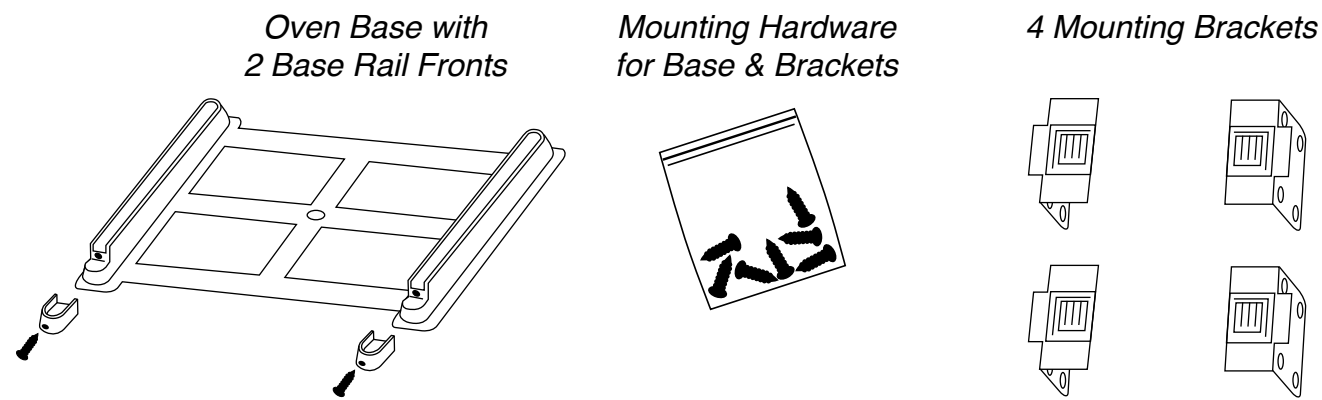
Kit Number: BI-24"



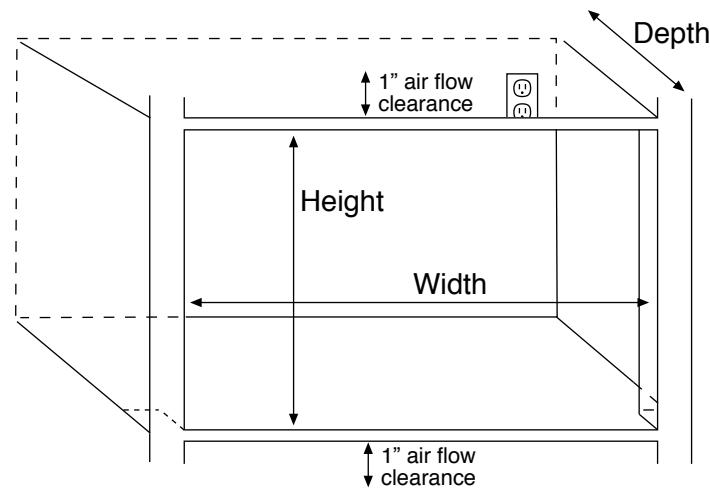
READ CAREFULLY - KEEP THESE INSTRUCTIONS

A. BEFORE YOU BEGIN:

1. This kit **BI-24** should only be used to install ovens manufactured by Half Time Ovens, Inc. With model numbers that begin with the letters **HHC** and end with the letters **BIW**, **BIB** or **BIS**. This model number is found on the serial plate located on the lower left corner of the oven frame behind the oven door.
2. **WARNING: UNPLUG THE OVEN AND TURN OFF THE POWER BREAKER BEFORE INSTALLING THE OVEN.**
3. **POWER SUPPLY: THIS OVEN MUST BE PLUGGED INTO A PROPERLY GROUNDED 20 AMP RECEPTACLE SERVED BY A 20 AMP DEDICATED BRANCH CIRCUIT. NO OTHER APPLIANCE SHOULD BE PLUGGED INTO THE SAME BRANCH CIRCUIT.**
4. The power receptacle should be accessible to the user. For example, on the back wall of the cut-out as shown below, or in a cabinet above or adjacent to the oven. Do not use an extension cord. If the power cord does not reach the receptacle, then the receptacle must be moved by a qualified electrician or serviceman.
5. **HARDWARE:**



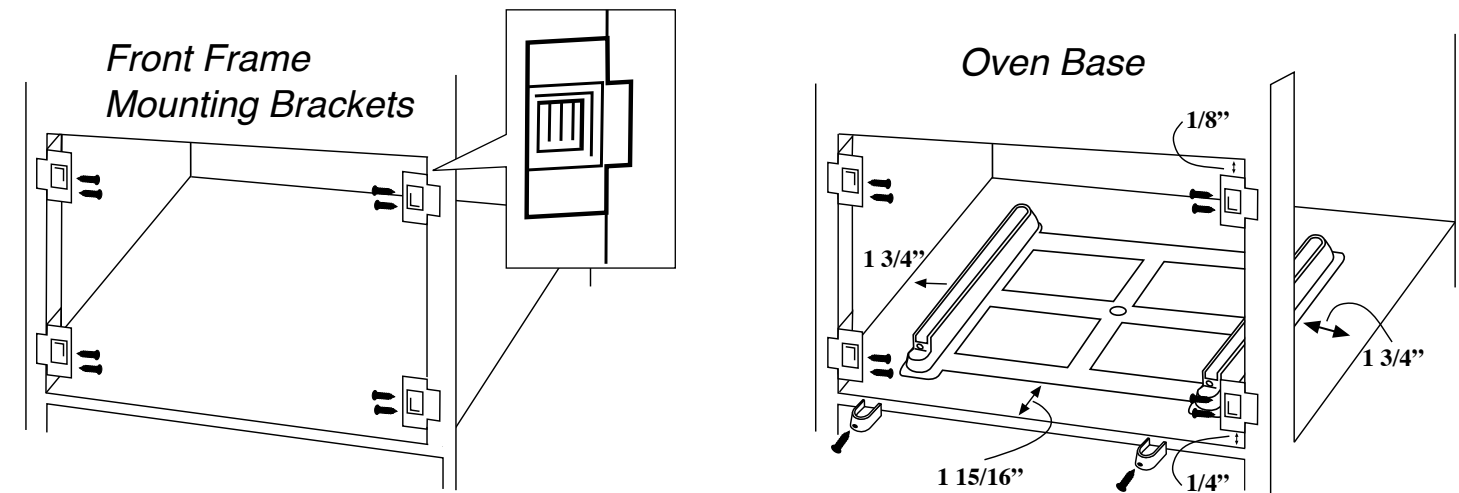
B. CABINET CUT-OUT DIMENSIONS:



Dimension	Trim Kit	Cutout
Height	17 5/8"	16 1/2"
Width	23 5/8"	21 3/4"
Depth	1 3/8"	19 1/4"

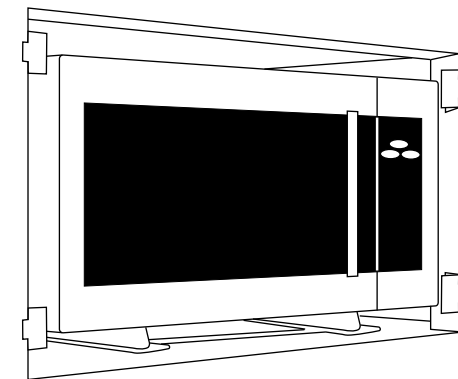
WARNING: This trim kit requires air flow from the top and bottom. Allow 1" or more clearance beyond the edge of the trim frame on the top and bottom to provide proper air flow. The oven will not function properly and will be damaged if air flow clearance is not provided.

C. INSTALL THE OVEN AND FRONT FRAME:



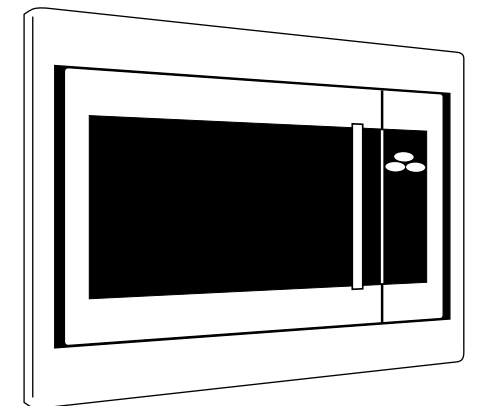
1. Install the Four Front frame mounting brackets.
2. Install the oven base. The base should be positioned 1 3/4" from each side wall and 1 15/16" from the front of the cabinet to the first cross piece of the mounting base.
3. Connect the oven power cord to the 20 amp receptacle.
4. Holding the oven at a slight downward angle, place the back feet of the oven in the base rail and slide the oven into the cabinet. Make sure all four oven feet sit inside the base rails.
5. Secure the oven by mounting the two base rail fronts which prevent the oven from sliding out of the base.

D. TESTING:



1. Remove all packing and parts inside the oven
2. Enter 1 minute (press pads 1 0 0), press the ADD TIME pad twice and enter "0" (this sets the power level at 0). Press the START pad. Both the oven and the external cooling fan should start
3. Make sure the external cooling fan is running freely, without any metal contact noise, which may be caused by interference or binding between the fan and adjacent parts.

E. MOUNTING THE FRONT FRAME:



1. Place the front frame around the oven front and press it into the four brackets mounted in the cabinet.
2. Open the door several times to make sure it does not bind with the front frame. If the oven door binds with the front frame, move the oven out forward 1/8" to 1/4".
3. The stainless steel front of the door and the front of the frame should be aligned or on the same plane. If not, move the oven base forward or backward to get proper alignment.
4. After proper alignment if the door binds with the front frame, move the oven out or forward 1/8" to 1/4" and this will eliminate the binding.